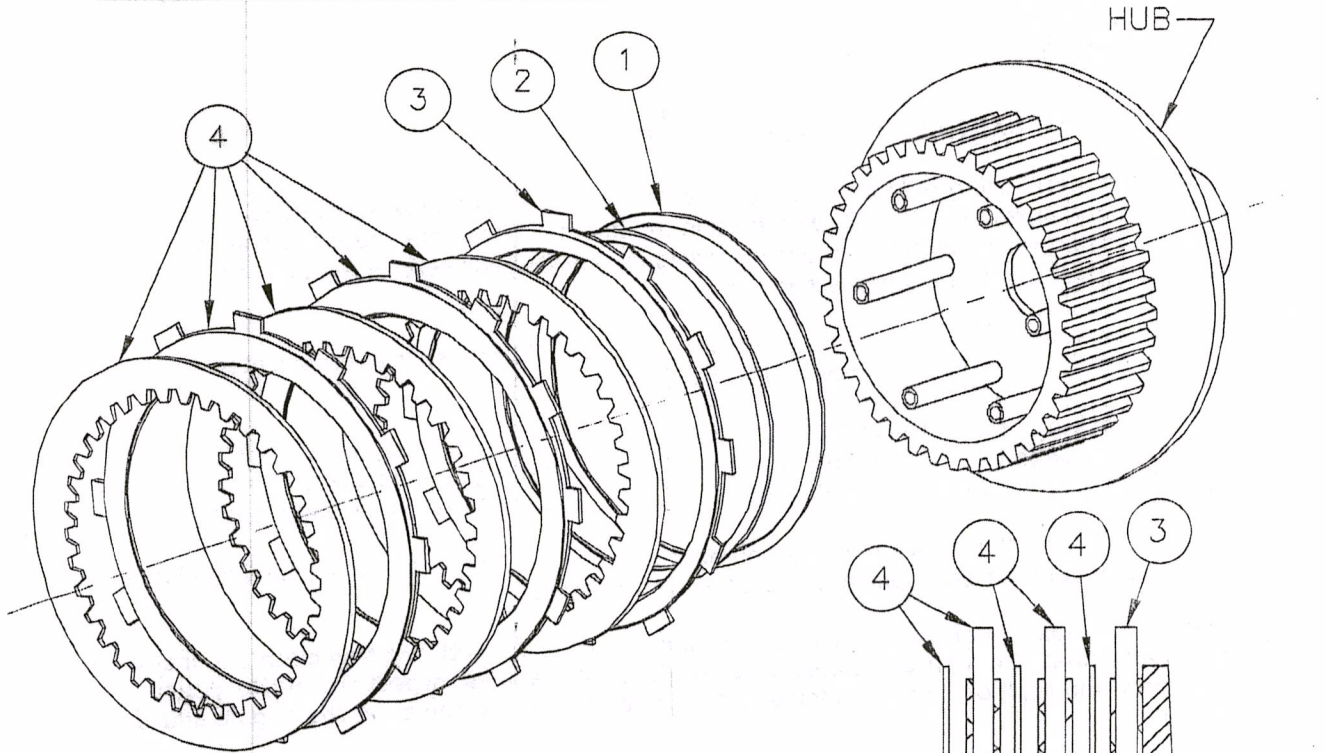
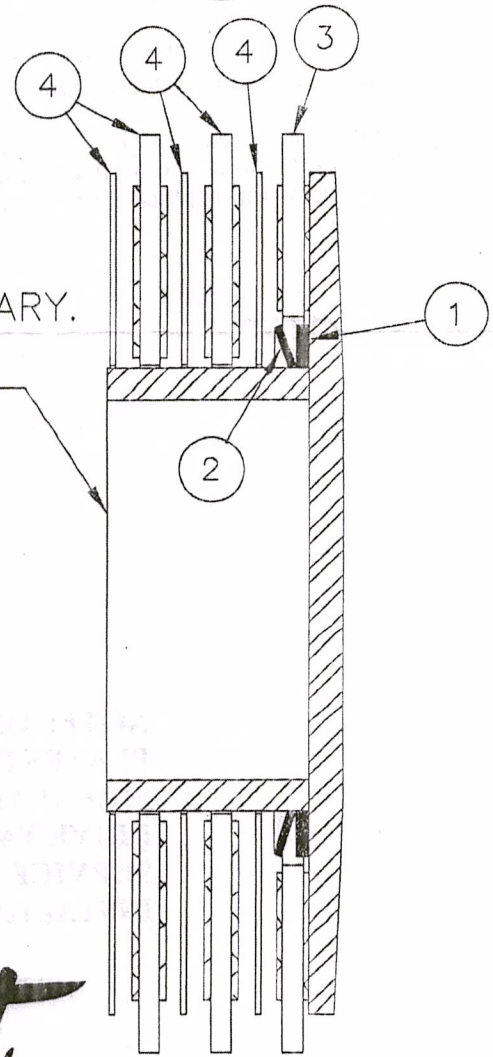


## INSTALLATION OF DAMPER SPRING/SEAT



NOTE: ACTUAL NUMBER OF PLATE MAY VARY.

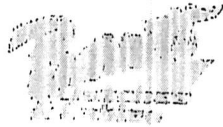


### INSTRUCTIONS:

1. INSTALL SMALL FLAT STEEL SEAT RING IN UNIT.
2. INSTALL DAMPER DISHED SPRING WITH DISH OUT. WHITE DOT FACES OUT.
3. INSTALL 'B' FIBER PLATE. ('B' PLATE HAS LARGER CENTER HOLE)
4. INSTALL A STEEL DRIVE PLATE FOLLOWED BY A FRICTION PLATE. USE THIS PATTERN TO COMPLETE INSTALLATION OF PLATES.
5. INSTALL PRESSURE PLATE AND SPRINGS.

BY  
**Barnett**

2238 PALMA DRIVE, VENTURA, CA 93003-5733, PHONE: (805) 642-9435 FAX: (805) 642-9436  
<http://www.barnettclutches.com>



### "WHAT OIL TO USE IN MY MOTORCYCLE CLUTCH?"

We recommend using only motorcycle specific oils that meet the JASO-MA (no Friction modifiers) or JAS)-MB (with friction modifiers). These oils meet the special Needs of motorcycle clutches and transmissions. Follow your service manual for Viscosity, volume and change schedules.

Never use automotive oils. They do not meet the specific and special requirements For motorcycle engines, clutches and transmissions.

ATF? Automatic Transmission Fluids can be used in motorcycles designed with a separate oil supply to the clutch assembly. Type F will give you a harsher, more positive clutch engagement, GM (dexron) will give you a smoother, more linear engagement.

Harley Davidson Note: We have had numerous reports of Formula Plus oil causing clutch plate 'sticking' in cold starts, especially in cold weather zones.

Wet Clutch Tips: Soak friction plates 1-3 minutes, wipe dry with lint free cloth and install per Service Manual. To insure the best possible clutch life, always inspect the entire clutch assembly and replace worn or damaged components. Keep clean oil in the engine and/or primary.

**NOTE: ONE OR MORE OF THE FRICTION PLATES IN THIS KIT ARE OF A DIFFERENT SIZE. (LARGER INSIDE DIAMETER, WIDER DRIVE TABS, ETC.) REFER TO YOUR SERVICE MANUAL FOR PROPER INSTALLATION OF ALL PLATES.**